

DT-315AEB Stroboscope

Instruction Manual



Congratulations on your purchase of a Shimpo DT-315AEB stroboscope/digital tachometer. We trust you will enjoy many years of professional results from your Shimpo product.

Please read the entire instruction manual thoroughly before initial set-up and operation; the information contained herein will aid you in operating your Shimpo stroboscope safely and with excellent results.

If you have any questions regarding our product(s), call your local Shimpo representative or contact Shimpo Instruments directly for assistance.

Inspection/Standard Accessories

If upon delivery shipping damage is detected, do not operate the unit. Notify shipping carrier immediately for damage claim instructions. Refer to nameplate and record serial number for future reference. Items included with the DT-315AEB are:

- (1) Handle
- (1) Flash tube removing tool
- (1) External battery pack in carrying bag with shoulder strap

Features and Benefits

Shimpo's DT-315AEB stroboscope/digital tachometer incorporates the latest microprocessor technology for visual inspection applications:

- *Aluminum construction provides exceptional durability*
- *High polish and focused reflector eliminates "blind" viewing areas*
- *External trigger allows unit to be automatically synchronized with equipment*
- *Continuous duty cycle eliminates need to shut down for cooling*
- *Phase shift allows visual analysis of rotating/reciprocating objects*
- *High accuracy ($\pm 0.01\%$ of reading) is ideal for QC inspection and process control*
- *Synchronous output enables strobe to drive other strobes*
- *Flash timer control conserves flash tube life*

Important Safety Instructions



Do not operate or store instrument in the following places: explosive areas; near water, oil, dust, or chemicals; areas where temperature is above 104°F (40°C).



Do not look at the emitted light for long periods of time; it can be harmful to the eyes.



Do not disassemble or repair unit while in operation.



Do not charge battery pack for more than 15 - 16 hours.

Set-up

The DT-315AEB may be operated handheld or else mounted on a tripod for added convenience.

To mount the strobe on a tripod (or any other mounting surface), use screw $\frac{1}{4}$ -20unc, length 8mm or shorter for the tripod screw hole on the bottom.

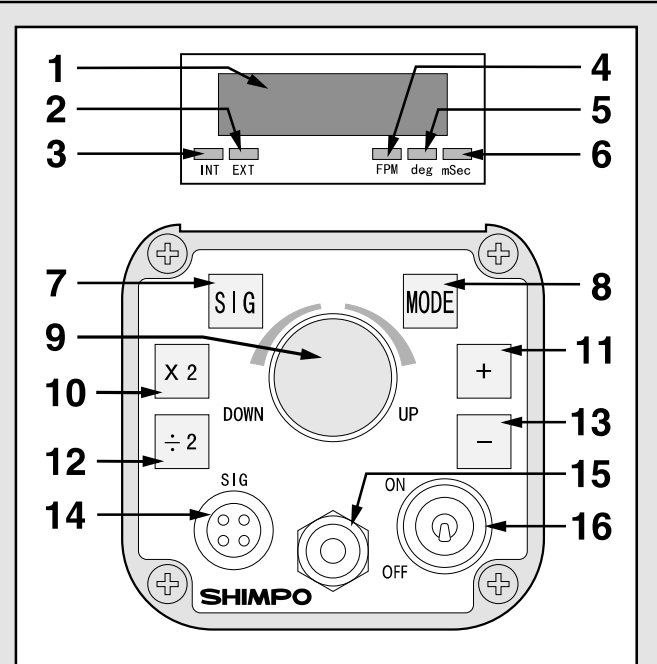
SEALS USA, Inc.

Instruments Division

Tel: (630)924-7138

Email: support@seals-usa.com

Display Panel



1. **LED display:** Displays function and value
2. **EXT:** External mode indicator
3. **INT:** Internal mode indicator
4. **FPM:** Flash per minute indicator
5. **deg:** Phase shift degree indicator
6. **mSec:** Millisecond delay time indicator
7. **Signal switch:** Switches the unit from the external mode to the internal mode (and vice-versa)
8. **Display mode switch:** When unit is set to the external mode, the strobe will switch to RPM (FPM)/deg/msec each time "MODE" is depressed

RPM (FPM) Displays flashes per minute
External input 0-35,000 RPM (FPM)

deg Displays flash delay in degrees

msec Displays flash delay in msec
9. **Setter:** Changes the flashing rate
10. **(x2) Switch:** In the internal mode, pressing "x2" doubles the flashing rate
11. **(+) Switch:** In the internal mode, when object appears to be standing still, pressing "+" will give the illusion that the object is moving towards the rotating direction at a speed of 1 rotation in 6 seconds
12. **(÷2) Switch:** In the internal mode, pressing "÷2" divides the flashing rate by two
13. **(-) Switch:** In the internal mode, when object appears to be standing still, pressing "-" will give the illusion that the object is moving in reverse at a speed of 1 rotation in 6 seconds
14. **Input and output connector:**

PIN #1: +12V
 PIN #2: Synch output signal
 PIN #3: Input signal
 PIN #4: 0V
15. **Power cord**
16. **Power switch**

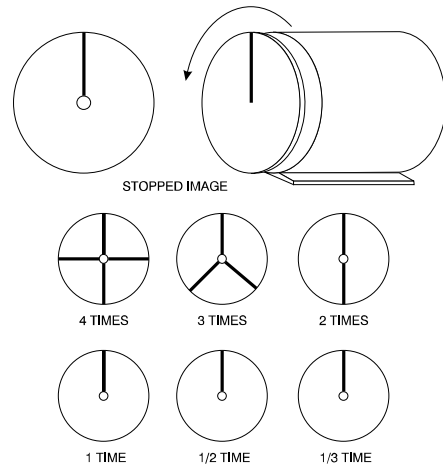
Operation

True RPM Measurement

Shimpo stroboscopes are DUAL function instruments that give the operator the illusion of "stopped motion" where in actuality the equipment under observation is in a moving state. By adjusting the flash rate, equipment in motion appears to be standing still. With a slight adjustment, movement can be viewed in apparent slow motion, which enables the operator or observer to study the process in action. All Shimpo stroboscopes can measure rotational (RPM) or reciprocating (strokes per minute) speeds with the same high precision as with an electronic digital tachometer.

To measure true revolutions per minute (RPM):

1. "Mark" the object to be measured by either visually noting an inherent distinguishing characteristic (such as a label, scratch, etc.) or physically marking the object with a small piece of tape, pencil mark, etc.
2. Firmly plug in power cord.
3. Turn power switch on.
4. Turn setter from highest FPM downward.
5. The true RPM can be noted once the action appears frozen **and** the first **single** image of the "mark" appears (see chart below and accompanying diagram for further explanation).
6. To verify RPM reading, press "÷2"; a single image should appear again.



Shaft Rotation (RPM)	Flashes (RPM)	Flashes/RPM Shaft	Stopped Images
At 1,500 RPM	6,000	4 times	4
	4,500	3 times	3
	3,000	2 times	2
	1,500	1 time	1
	750	1/2 time	1
	500	1/3 time	1

Internal Triggering Mode

To operate the stroboscope in internal triggering mode:

1. Firmly plug power cord into battery pack.
2. Turn power switch on.
3. If internal indicator is not on, press "SIG"; the INT light will then turn on.
4. Aim light beam at object under observation. The optimal distance between the strobe and moving object is approximately 2 feet.
5. Measure RPM by turning the setter to adjust the flashing rate to the rotational speed of the object.

NOTE: To achieve a particular rate quickly, use the "x2" or "÷2" switches and then the setter for fine tuning.

NOTE: Once the internal timer has expired, the strobe will stop flashing and the display will flash rapidly. To restart the strobe, turn power switch off, then on, and the cycle will repeat.

Operation(continued)

External Triggering Mode

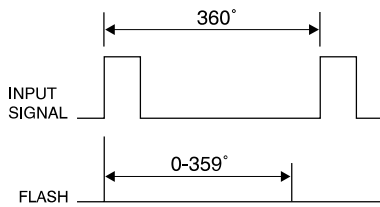
To operate the stroboscope in external triggering mode:

1. Connect external trigger or sensor wires according to connector pin designation:
 - 1 9.3 - 13.4 VDC (40 mA) for powering sensor
 - 2 Synch output signal
 - 3 External input signal
 - 4 0V (common)
2. Firmly plug in power cord.
3. Turn power switch on.
4. If INT lamp is on, press "SIG" until EXT lamp turns on.
5. Press "MODE" to select proper mode:

FPM Light will flash in correspondence with input signal; the input signal will be calculated into FPM and displayed.

deg One cycle of input signal is 360°. A delayed angle will be displayed from 0 up to 359°. (The delayed angle can be changed by turning the knob setting as previously described).

msec The above delayed angle will be displayed in msec.

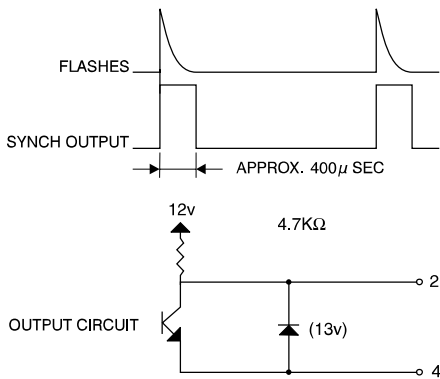


NOTE: If the input signal frequency exceeds upper or lower limits, the alarm dashes (-----) will be displayed or the strobe will stop flashing.

NOTE: Once the internal timer has expired, the strobe will stop flashing and the display will flash rapidly. To restart the strobe, turn power switch off, then on, and the cycle will repeat.

Synchronous Output Signal

For triggering and controlling additional stroboscopes, the synchronous output signal appears on pin #2 (see below).



FPM Display Mode

If the input signal exceeds 585Hz, the upper dashes on the digital display will be flashing:

----- upper dashes

If the input signal is lower than 0.67Hz, the lower dashes on the digital display will be flashing:

----- lower dashes

Deg/msec Display Mode

If the input signal exceeds 167Hz, the upper dashes on the digital display will be flashing:

(deg) ----- upper dashes ----- (msec)

If the input signal is lower than 0.67Hz, the lower dashes on the digital display will be flashing:

(deg) ----- lower dashes ----- (msec)

Memory

The following parameters are set at the factory:

- *Decimal point: autorange*
- *Internal timer: continuous*
- *External trigger edge: L-H (Lo to Hi)*

These parameters can be changed in the field to facilitate different situations. To change any of the above parameters, follow these steps:

1. Firmly plug power cord into battery pack.
2. Turn power on.
3. Make sure that INT lamp is on. If not, press "SIG" until it turns on.
4. Change the desired memory parameter:
 - a. *To change the decimal point*
Press "+2" and "-" at the same time for approximately 2 seconds until display alternates between —1— and 0.0. Press "+". The display will freeze and show 0.0. Change decimal point accordingly by pressing "+". If 0.0 is selected the decimal point is in the autorange mode. If 0 is selected the decimal point is eliminated throughout the entire range.
 - b. *To change the internal timer*
Press MODE. The display will alternate between —2— and 0; press "+". The display will freeze to 0. Use the setter to set timer anywhere between 1 and 120 minutes.
 - c. *To change the trigger edge or the external mode*
Press MODE. The display will alternate between —3— and L-H. The external trigger edge is set from the factory to occur during the positive transition of the incoming pulse. To change it to the negative transition, press "+". Display will change from L-H to H-L.
5. Press "SIG" to go back to normal operation.

NOTE: the above settings can be checked quickly by performing steps A to C as described above and then pressing "SIG".

Battery Charge

If battery is low, "LLLLL" is displayed and display will eventually disappear. Refer to charging instructions provided with the battery pack.



Do not charge for more than 15 - 16 hours.

Flash Tube Replacement

When FPM reading is displayed but unit is not flashing, flash tube may need to be replaced:

1. Unplug line cord from power line.
2. Turn power switch off (wait a few minutes until stroboscope is cool before proceeding).
3. Remove protective window by removing the 4 screws.
4. Use tube removing tool provided: insert tool all the way and turn clockwise until tool locks. Pull out tube.
5. Install new flash tube using the removing tool.
6. Replace protective window.
7. Mount reflector in the center so that the reflector will not interfere with the screw spacer on the corners.

Troubleshooting

FPM reading is displayed but unit is not flashing:

- Flash tube may need to be replaced (see "Flash Tube Replacement" section)

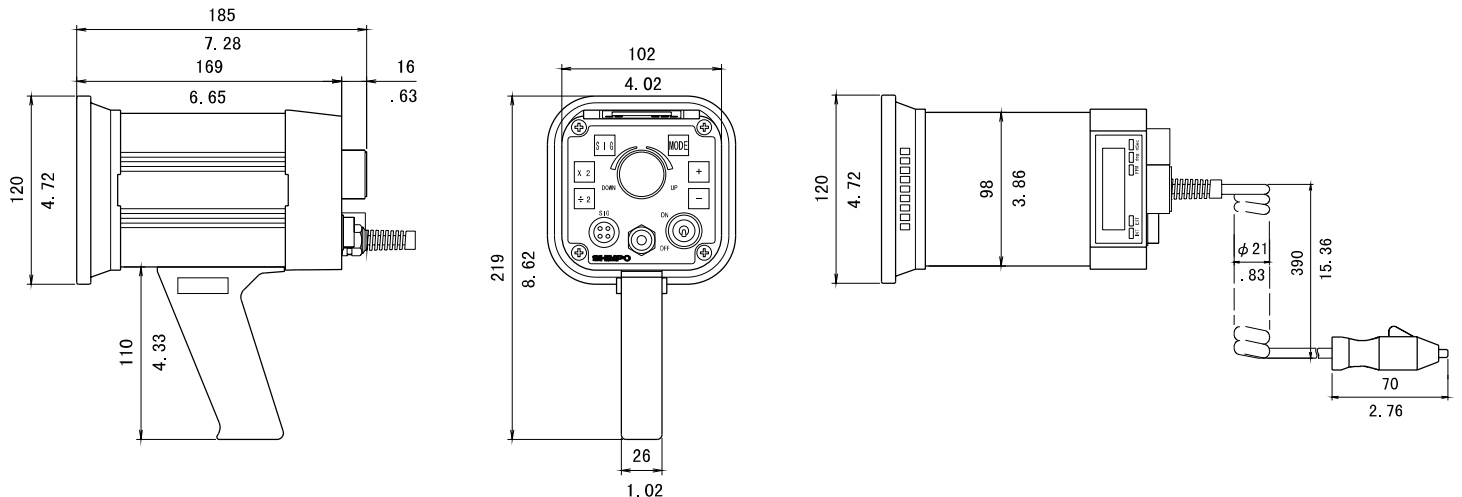
Stroboscope is in external trigger mode, no flash:

- Check flash tube. Replace if necessary
- Check for damaged wiring and/or loose pin connections

Stroboscope is in internal trigger mode, no flash:

- Check flash tube. Replace if necessary
- Check for damaged wiring and/or loose pin connections

Dimensions & Specifications



STROBOSCOPE SPECIFICATIONS	
Model	DT-315AEB
INTERNAL MODE	
Flashing Range	40.0 - 35,000 FPM (flashes per minute)
Accuracy	±0.01% of reading
Resolution	0.1 FPM: 40.0 - 4,999.9 FPM 0.2 FPM: 5,000 - 7,999.8 FPM 0.5 FPM: 8,000 - 9,999.5 FPM 1 FPM: 10,000 - 35,000 FPM
Phase Shift	Use +/- push buttons (360° in 6 seconds)
Display Update Time	0.2 sec approx.
Output Signal	Synchronous, 400 msec. Pulse output, 0 to +12 VDC amplitude (approx.), 4.7 KΩ impedance
Rate Multiplier/Divider	Multiply by 2, divide by 2
EXTERNAL MODE	
Flashing Range	0.0 - 35,000 FPM
Accuracy	±0.01% ± 1 digit
Phase Shift	0 - 359° with 1° resolution
Delay Time	0 - 2,000 msec from 40 - 10,000 FPM
External Trigger Input Signal	LO level: 0 - 0.8 VDC, HI level: 2.5 - 12 VDC or open collector (NPN), pulse width 50 msec min.
Input Impedance	4.7 KΩ at 12 V / 6.8 KΩ at 0 V
GENERAL	
Display	5 digits, 0.4" (10 mm) high, LED
Flash Tube Power/Life	Xenon, 10 W max. (100 million flashes)
Flash Duration	10 - 40 msec
Sensor Power Supply	12 VDC (40 mA)
Low Battery Indicator	Display shows all L's
Power Requirement	Internal Battery Pack
Operating Temperature Range	32° - 104°F (0 - 40°C)
Weight	2.5 lb (1.1 kg)
Dimensions	7.28"L x 4.72"W x 4.72"H (185 mm x 120 mm x 120 mm)
Warranty	1 year
Standard Accessories	External battery pack with charger
Optional Accessories	Carrying case

Warranty

LIMITED EXPRESS WARRANTY: Shimpo Instruments warrants, to the original purchaser of new products only, that this product shall be free from defects in workmanship and materials under normal use and proper maintenance for one year from the date of original purchase. This warranty shall not be effective if the product has been subject to overload, misuse, negligence, or accident, or if the product has been repaired or altered outside of Shimpo Instruments's authorized control in any respect which in Shimpo Instruments's judgment, adversely affects its condition or operation.

DISCLAIMER OF ALL OTHER WARRANTIES: The foregoing warranty constitutes the SOLE AND EXCLUSIVE WARRANTY, and Shimpo Instruments hereby disclaims all other warranties, expressed, statutory or implied, applicable to the product, including, but not limited to all implied warranties of merchantability and fitness.

LIMITATION OF REMEDY: Under this warranty, Shimpo Instruments's SOLE OBLIGATION SHALL BE TO REPAIR OR REPLACE the defective product or part, at Shimpo Instruments' option. Shimpo Instruments reserves the right to satisfy warranty obligation in full by reimbursing Buyer for all payments made to Shimpo Instruments, whereupon, title shall pass to Shimpo Instruments upon acceptance of return goods. To obtain warranty service, Purchaser must obtain Shimpo Instruments's authorization before returning the product, properly repackaged, freight pre-paid to Shimpo Instruments.

INDEMNIFICATION & LIMITATION OF DAMAGES: Buyer agrees to indemnify and hold Shimpo Instruments harmless from and against all claims and damages imposed upon or incurred arising, directly or indirectly, from Buyer's failure to perform or satisfy any of the terms described herein. In no event shall Shimpo Instruments be liable for injuries of any nature involving the product, including incidental or consequential damages to person or property, any economic loss or loss of use.

MERGER CLAUSE: Any statements made by the Seller's representative do not constitute warranties except to the extent that they also appear in writing. This writing constitutes the entire and final expression of the parties' agreement.

SEALS USA, Inc.

Instruments Division

Tel: (630)924-7138

Email: support@seals-usa.com