

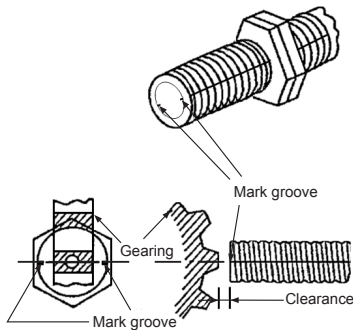
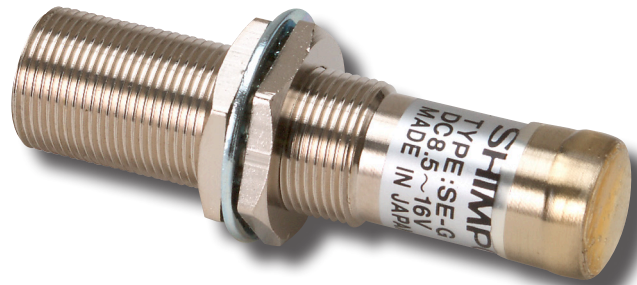
Operation Manual

Thank you for purchasing the gear sensor. Please read through the manual to use the product safely.

Model SE-G2 is a solid proximity switch especially designed for gearing sensing. The SE-G2 sensor will provide a square wave signal output and indicate detection via LED indicator on the rear of the unit. Maximum switching frequency is 8 kHz with a maximum sensing distance of 0.04" (1.0 mm), gear pitch must be between 25.4 (min) and 16.93 (max).

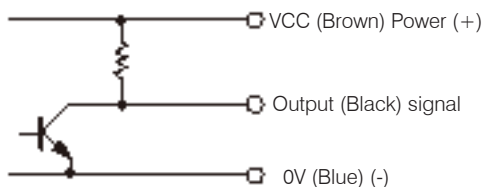
INSTALLATION

1. Install the sensor and the actuator on the same line.
2. Align the grooves to the tooth of the gear.
3. Set the clearance less than 0.04" (1 mm) between the sensor and the gear tooth.
4. Keep any other metal material at least 0.6" (15 mm) away from the sensor.
5. When the output is Low, the target lamp is less bright, and when it is High, it is brighter.
6. Detect the tooth of the gear.



OUTPUT DIAGRAM

Used RPM : 0 to 8000rpm
No of teeth : 60 pcs, in case of Module 1.0



SPECIFICATONS

- Power Supply:** 8.5 to 16V DC
- Power Consumption:** Less than 10mA
- Response Frequency:** 0 to 8000 Hz
- Actuator:** Module 1.0 to 1.5 magnetic metal gearing whose tooth width is over 0.157" (4 mm)
- Output Impedance:** Voltage output
- Output Capacity:** DC5 to 20V Max 25 mA
- Target Lamp:** Yes
- Operation Temperature:** -4 to 158°F (-0 to 70°C)
- Protection:** NEMA 4 (IP67)
- Cable:** 3 Wires; 39" (1 m)

DIMENSIONS

